

规格承认书

Specification for approval

产品名称: PCB 面板安装中号汽车保险丝座

Product Type: Standard PCB Mount Quick Insert Nylon

Medium ATC ATO Auto Fuse Holder For Plug-in Automotive

Fuse 1A-30A

Ao littel Technology Co.Ltd.

Bld. 16,Yanhe East Road,Xiangdong Village, Dongguan 523833,
Guangdong,China

H.P.: 1371362419

Fax #:0769-89390418

QQ #: 3217998702

Email : eric.lye@aolittel.com

<http://www.passivemall.com/>

<http://www.aolittel.com/>

1. Scope

These fuse holders incorporate two individual receptacle terminals made from brass with a Tin over Nickel plated finish that are pre-assembled to a UL rated 94V-0 glass filled Nylon base. The Mini Blade Fuse holder is suitable for 30 Ampere applications. The Standard Blade Fuse holder is suitable for 40 Ampere applications. The Maxi Blade Fuse holder is suitable for 60 Ampere applications and all will withstand shock and vibration. Receptacle contacts hold the fuse securely, assuring positive connections and low contact resistance. Pre-assembled fuse holders to accommodate mini, standard and maxi blade fuse sizes.

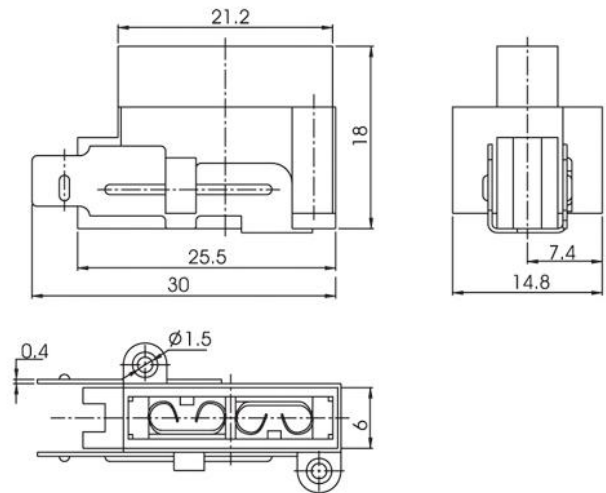
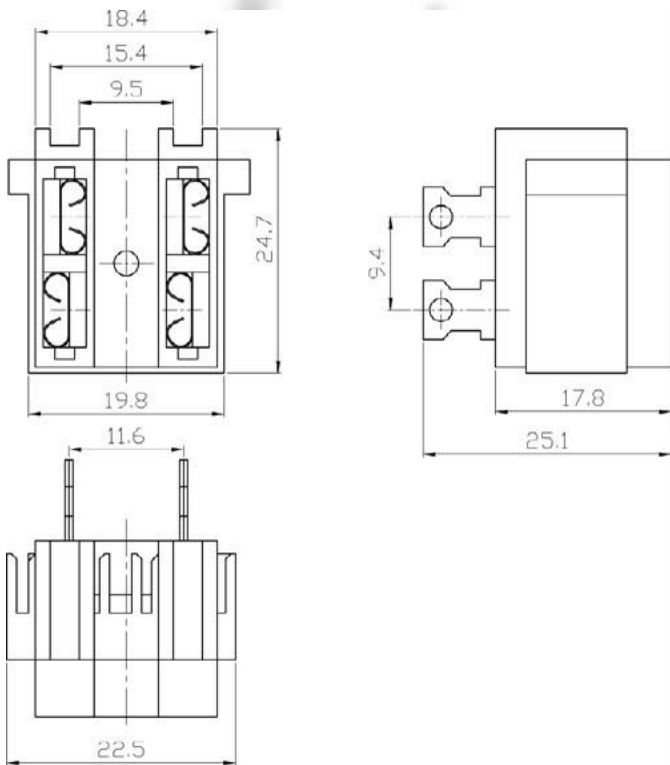
2. Specifications

Insertion & Extraction Force	1 Kg. Min
Dielectric Strength For 60 Seconds	AC 1500V Min
Suitable Rated Current	30A Max.
Insulation Resistance At 500v DC	100M Min.
Temperature Rise	50 Max.
Body Material	Nylon With Glass Fiber
Voltage Drop	20mV Max
Terminals	Brass Tin Plated
P.C Board Snap-In Type	WGP20,WGP29;
P.C BOARD Quick Insert Terminal Type	#WGP21,#WGP22,#WGP23,#WGP24,#WGP25, #WGP26,#WGP27,#WGP28,#WGS01,#WGS02;

3. Recommend Auto Blade Fuse



4. Dimension (mm)



5. More item

WGP20 ATC Fuse Holder



WGP21 Auto Fuse Holder



WGP22 Medium Blade Fuse Holder



WGP23 Medium Auto Fuse Holder



WGP24 Automotive Fuse Holder



WGP25 Car Fuse Holder



WGP26 Auto Fuse Clip



WGP27 Auto Fuse Block



WGP28 Mini Blade Fuse Holder



WGP29 Blade Fuse Holder

